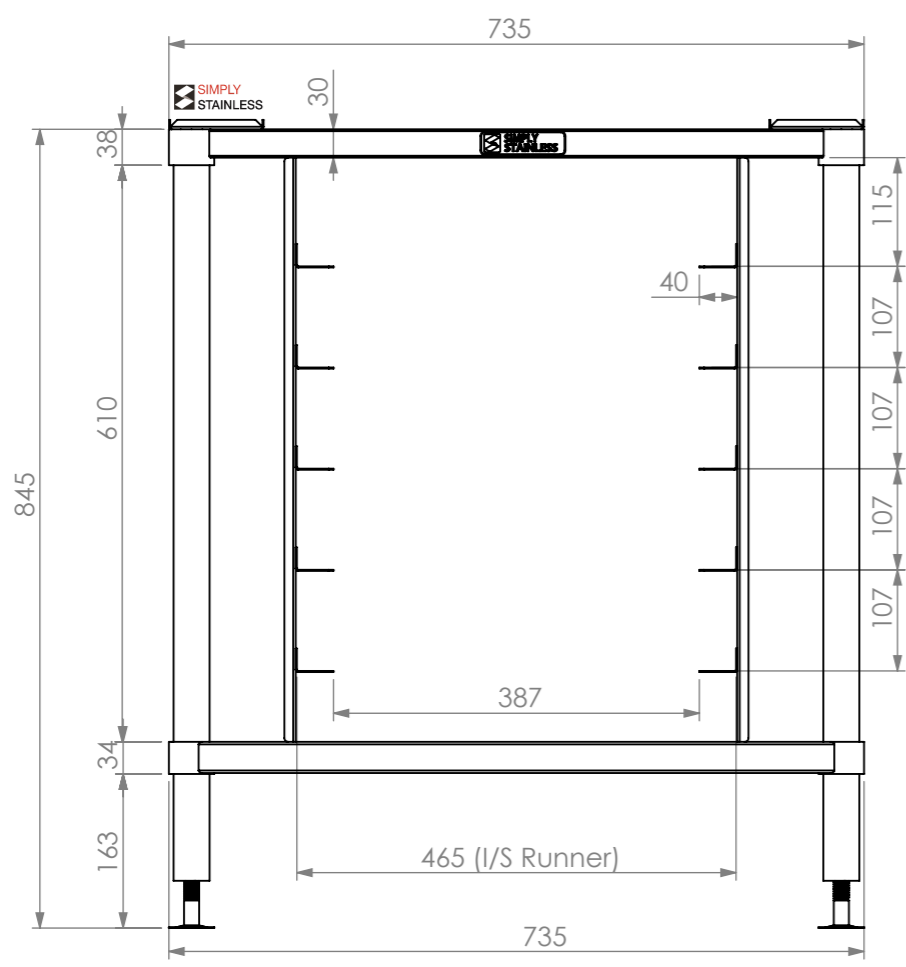
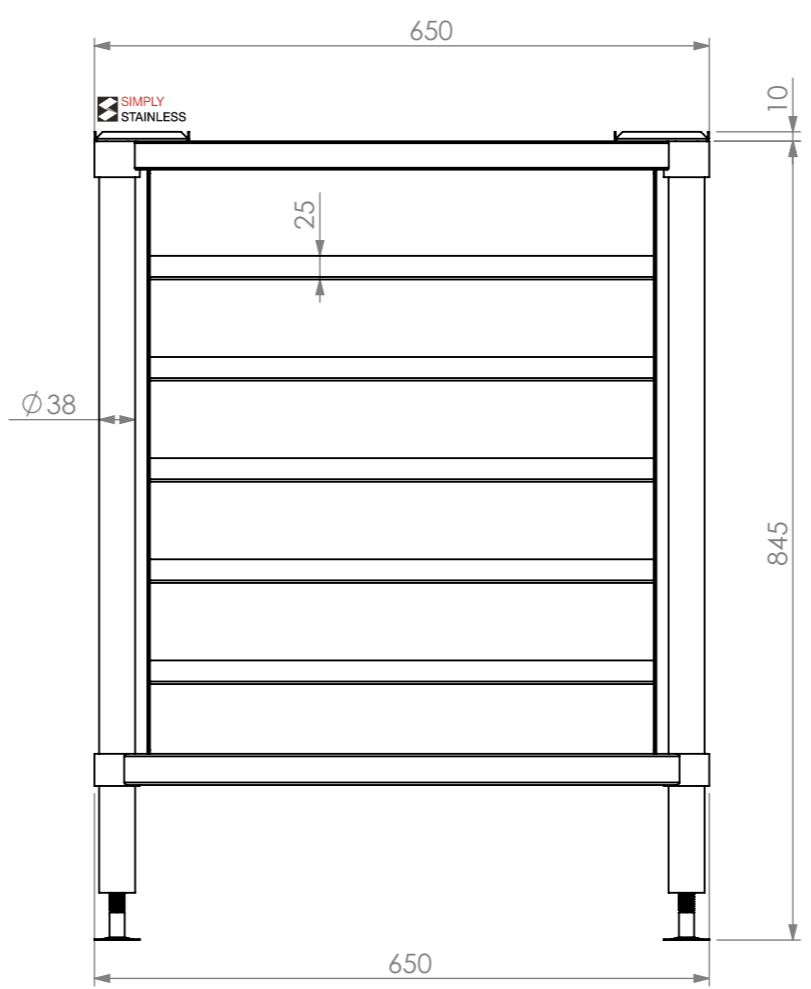


PLAN

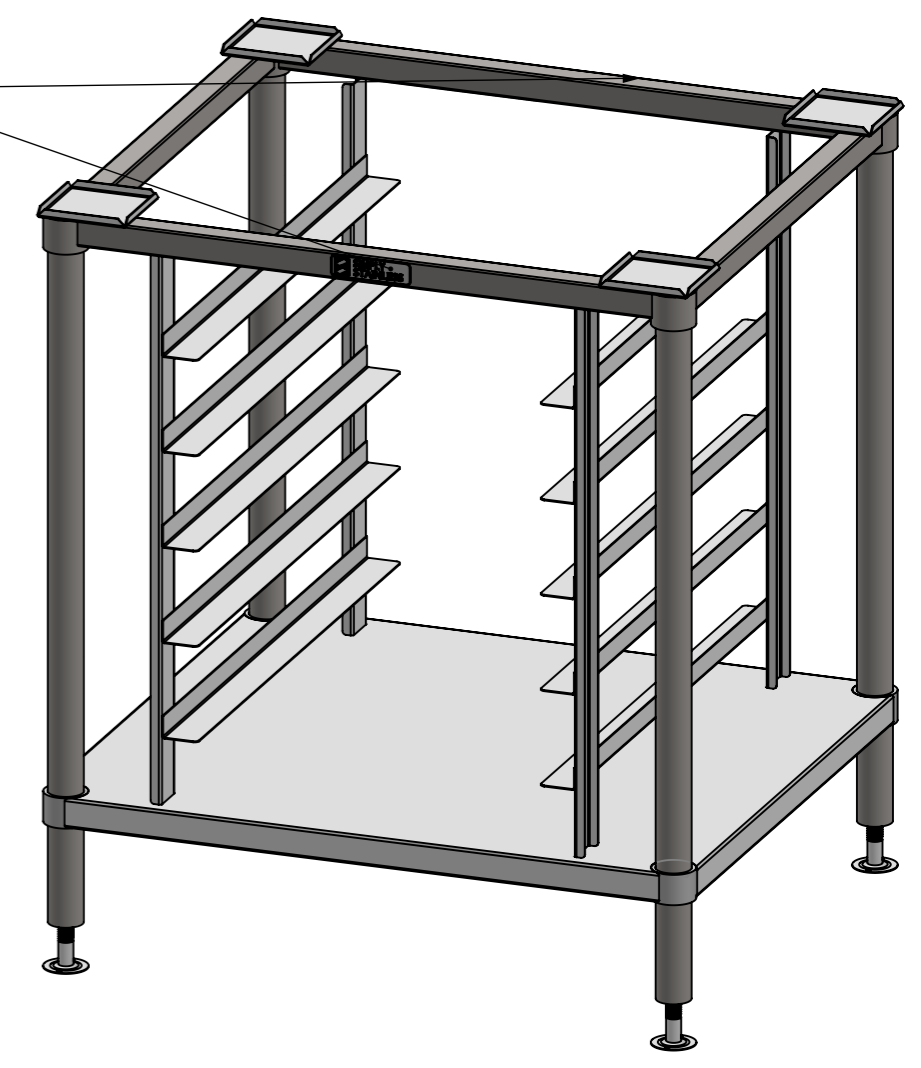


FRONT ELEVATION



SIDE ELEVATION

Badge Position
2 OFF



SIMPLY STAINLESS
 Modular Sinks, Tables & Shelving
 COPYRIGHT © 2022
 This drawing is the property of CI GROUP PTY LTD. Tradings as SIMPLY STAINLESS and It may not be copied, reproduced or modified in whole or in part without prior written permission of CI GROUP PTY LTD. SIMPLY STAINLESS reserves the right to change specification and design without notice.

27-E32
TURBOFAN STAND

SIZE: A3 SCALE: 1:8

- CONSTRUCTION NOTES :**
1. FRAME MADE FROM Ø38mm ROUND TUBE & 30mm SQ TUBE STAINLESS STEEL.
 2. UNDERSHELF MADE FROM 1.2mm STAINLESS STEEL.
 3. FEET ARE ADJUSTABLE STAINLESS STEEL DISC SHAPED FEET.

27-E32 TURBOFAN STAND